

# Crushing Bucket CB Series

## On Site Processing

The CB crushing bucket series is an attachment unit similar to a jaw crusher, which is mounted directly onto the excavator. Hydraulic breaker control circuit is required. This allows material which is to be broken to be processed on site immediately afterwards and reused e.g. for landfill. Permits are not required for using these crushing buckets.



The mobility of the excavator and the simple operating mode of the crushing bucket not only save time and money by doing away with primary sorting and transport to the recycling yard, but also increase flexibility on the site.



## Robust and Flexible

The CB crusher bucket series is made completely of wear-resistant steel. The solid construction is designed for great durability under the toughest of conditions. It can even crush concrete railway sleepers.



The CB is powered by a robust hydraulic engine and equipped with crusher plates which can be set on demand to crush various materials to between 20 and 120 mm. The opening is armoured with optionally exchangeable teeth.

# Crushing Bucket CB Series



## Advantages in Overview

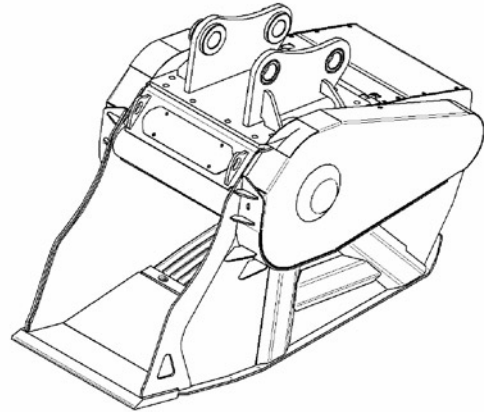
- high breaking power
- no primary sorting of material for breaking necessary
- Material size from 20 - 120 mm, short change-over time to set up different material size
- low maintenance costs



## Multiple applications

- Demolition and recycling
- Road work and Canalisation
- Gardening and Landscaping
- Quarry operations
- Steelworks
- crush concrete railway sleepers.
- concrete and reinforce concrete
- Brickwork
- Stones
- Granite
- Quick installation on an existing excavator by attachment and connection to hydraulic breaker control circuit.
- Turnable and interchangeable crusher plates made of manganese cast iron.
- Crushed Material can immediately reused on site e.g. for landfill.
- Especially suitable for use in small urban working sites
- low dust production
- Cutting Blades made from Hardox® 600, Side Blades made from Hardox® 400
- No Permits required for using crushing buckets CB series
- Heavy-Duty Version for use in steelworks available

# Crushing Bucket CB Series



Model		CB 160	CB 250	CB 400	CB 570
Carrier weight	[t]	8 - 14	14 - 20	20 - 40	28 - 50
Weight (incl. Adapterplate)	[kg]	1570	2490	3880	5620
Opening (width x height)	[mm]	600 x 450	700 x 550	900 x 450	1200 x 450
Capacity	[l]	550	620	765	1050
Material size	[mm]	20 - 100	20 - 120	20 - 120	20 - 120
Output *	[m <sup>3</sup> /h]	8 - 21	12 - 32	16 - 42	25 - 52
Operating pressure min.	[bar]	230	230	230	230
Oil flow	[l/min]	120 - 320	150 - 320	180 - 320	220 - 320
Optimal Operating pressure		250 bar (at 150 l/min)	250 bar (at 180 l/min)	250 bar (at 220 l/min)	250 bar (at 260 l/min)
Back pressure (max.)	[bar]	10	10	10	10
Dimensions	[mm]				
- Length		1800	2150	2450	2450
- Width		1000	1080	1350	1650
- Height		1200	1250	1450	1450

\* Circa Output depending on material and power